



CENTOCO

Collection ONE Specification Manual

Centoco Plastics Ltd.
2450 Central Avenue
Windsor, Ontario, Canada N8W 4J3

Centoco Manufacturing, LLC.
809 E Fifth St.
McCrary, AR 72101

Phone: 1+ (519) 948-2300
1-800-265-3666
www.centoco.com

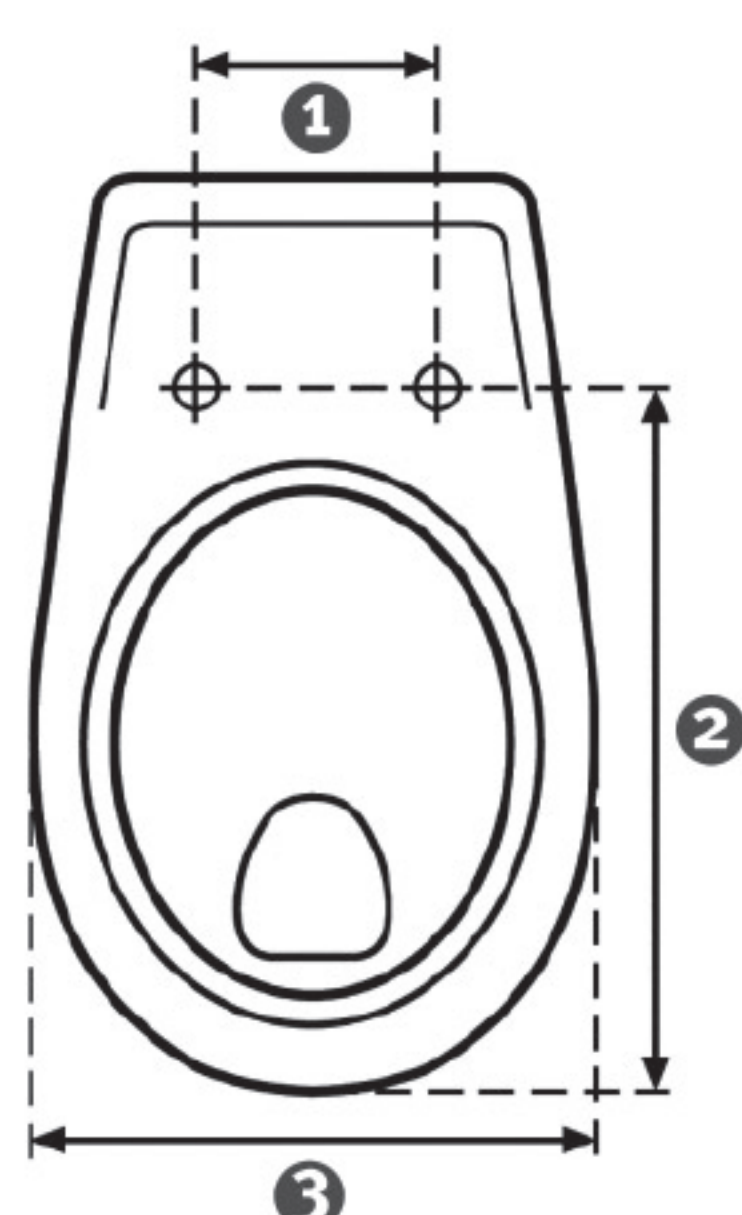
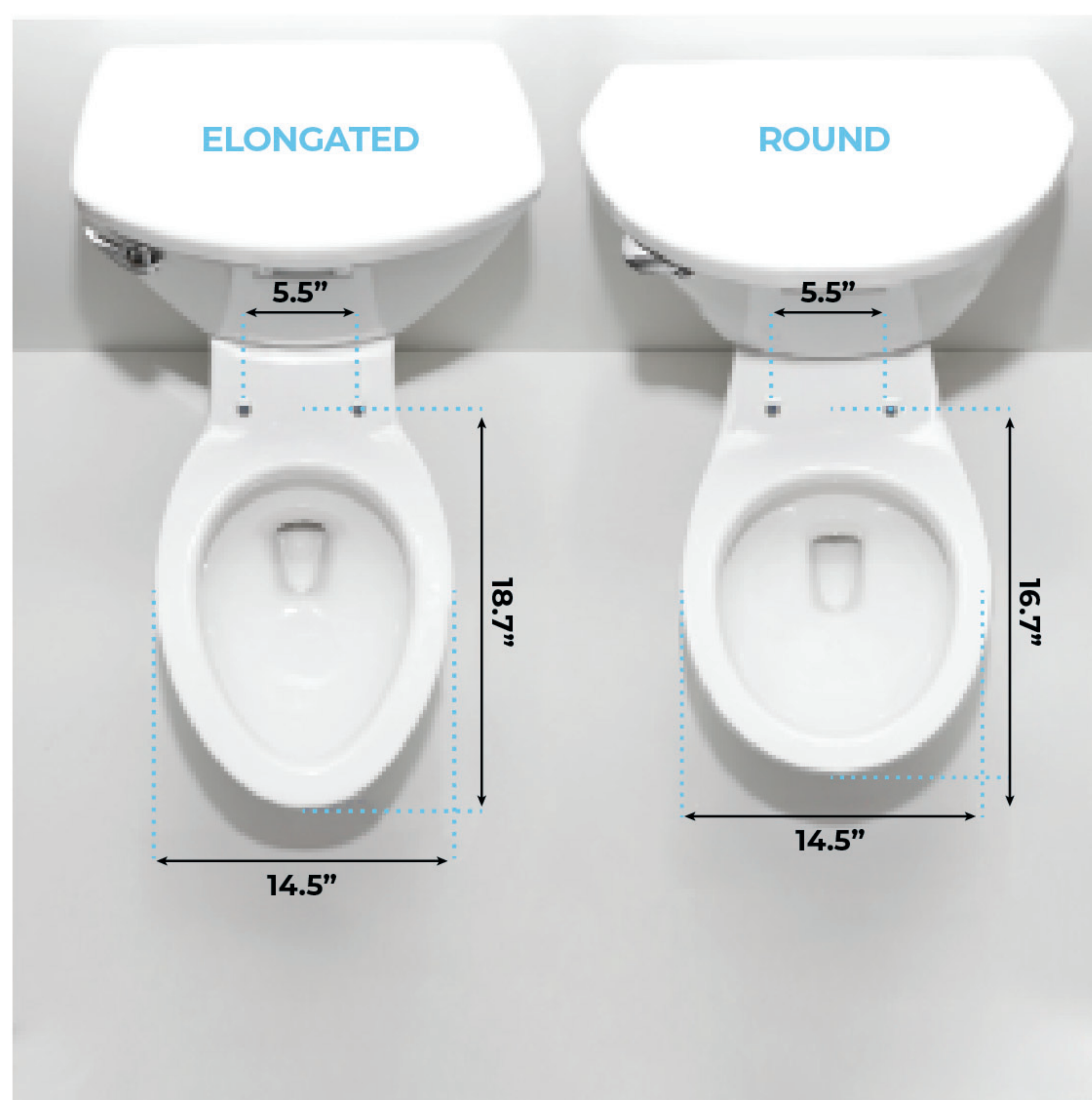
Welcome to the world of Collection ONE.

Table of Contents

Perfect fit.....	3
Features	4
Slow Close	5
Lift & Clean / Quick Release	6
Hinges	
Hinge installation - Fixed hinge.....	7
Hinge installation - Adjustable hinge.....	8
Hinge installation - Removable hinge.....	9
Material Comparison	10
Seat Models	
Collection ONE Elongated Duroplast.....	11
Collection ONE Elongated Polypropylene	12
Collection ONE Round Duroplast.....	13
Collection ONE Round Polypropylene.....	14

Centoco Toilet Seats - Finding the Perfect Fit

There are many things to consider when choosing a toilet seat. Besides the material, color, design and function, the dimension of the ceramic is critical. Centoco models are compatible with up to 90% of standard ceramic bowls. Centoco seats can be adjusted to fit specific applications due to the unique hinge design. In almost every case you will be able to find a suitable Centoco seat. If you need help choosing, the Centoco sales team will be happy to assist you.



Choose the shape of your ceramic. Is it elongated or round?

- ❶ Measure the distance between the centres of the bolt holes in the ceramic. Bowls with a hole-centre distance of 14 cm/5.5" are compatible with Collection ONE seats.
- ❷ Measure the length from hole centre to the furthest point of the front edge of the ceramic (preferably in the middle).
- ❸ Measure the maximum width of the ceramic from outside edge to outside edge.

Slow Close

The practical Slow Close solution allows the toilet lid to be closed silently and comfortably with protecting the material with just a finger tip - slowly, smoothly and evenly.

Learn more on page 5.



Lift & Clean / Quick Release

It has never been so easy to keep the toilet, including the toilet seat, clean. Thanks to our practical Lift & Clean feature, you can easily remove the toilet lid including the toilet seat, and then put it back on again, just as quickly – in just one movement and without any tools.

Learn more on page 6.



SLOW CLOSE

Toilet seats that close with just the tap of a finger.



It's probably happened to everyone once: The toilet lid slips out of your hands and lands on the ceramic bowl with a loud bang. The impact of the lid can damage both the toilet seat and the toilet itself. Thanks to our Slow Close toilet seat, all that is a thing of the past. The practical Slow Close solution allows the toilet lid to be closed silently and comfortably while protecting the material with just a finger tip.

How does a toilet seat with the automatic closing system work?



Our automatic closing system toilet seat technology is contained in the special hinges between the lid and the seat, which are fitted with high-quality dampers. They allow the toilet lid to close slowly and smoothly instead of it hitting the toilet.

The gentle closing of the toilet lid also avoids loud noises, preventing other people in the house from being disturbed.

When the toilet is being cleaned and used, especially by children, the Slow Close technology also reduces the risk of injury that arises when normal toilet lids fall shut. In addition, the automatic closing system enhances the durability of the toilet seat. The soft closing of our lid is easy on the seat and the toilet.

LIFT & CLEAN for Quick Release

Easily remove the toilet seat with just one hand:
Our practical Lift & Clean feature for Quick Release



Thanks to our practical Lift & Clean feature, you can easily remove the toilet lid including the toilet seat, and then put it back on again just as quickly – in just one movement and without any tools. This doesn't just facilitate thorough hygiene of the ceramic and toilet seat, it also makes it easier to install and replace the toilet lid.

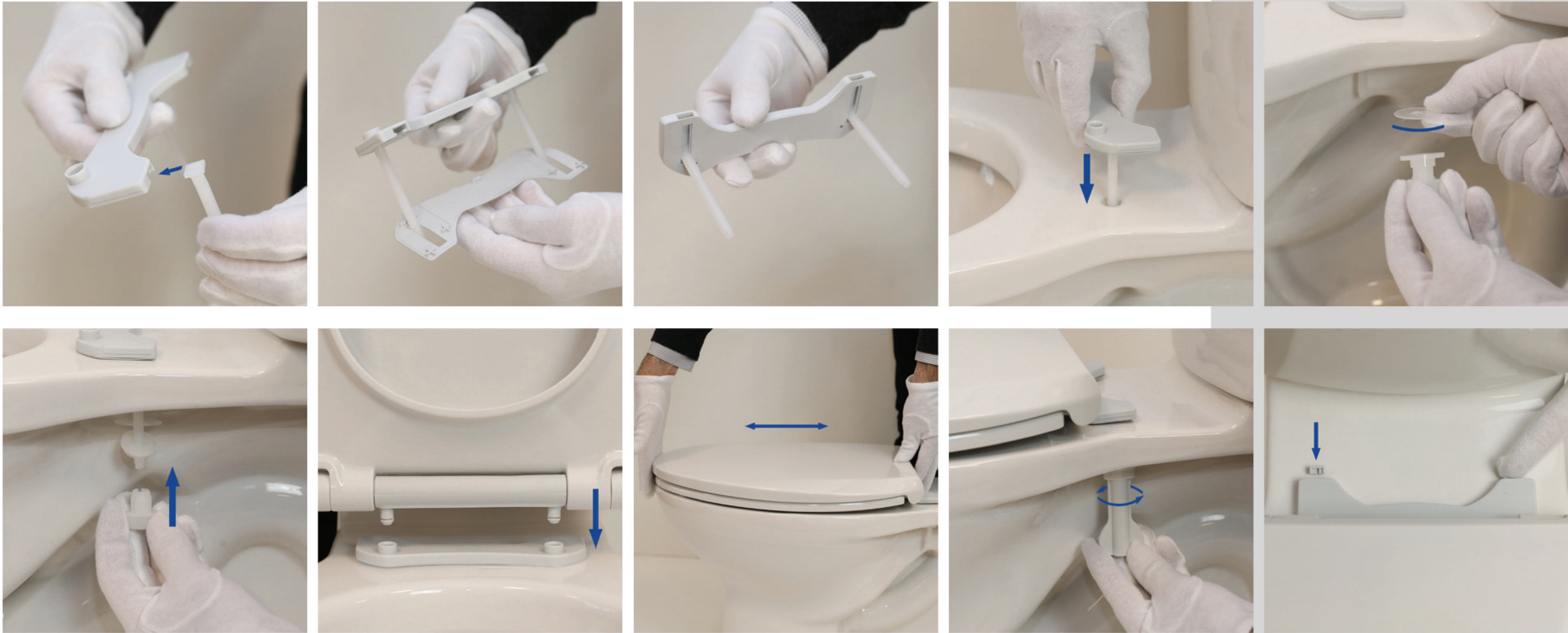
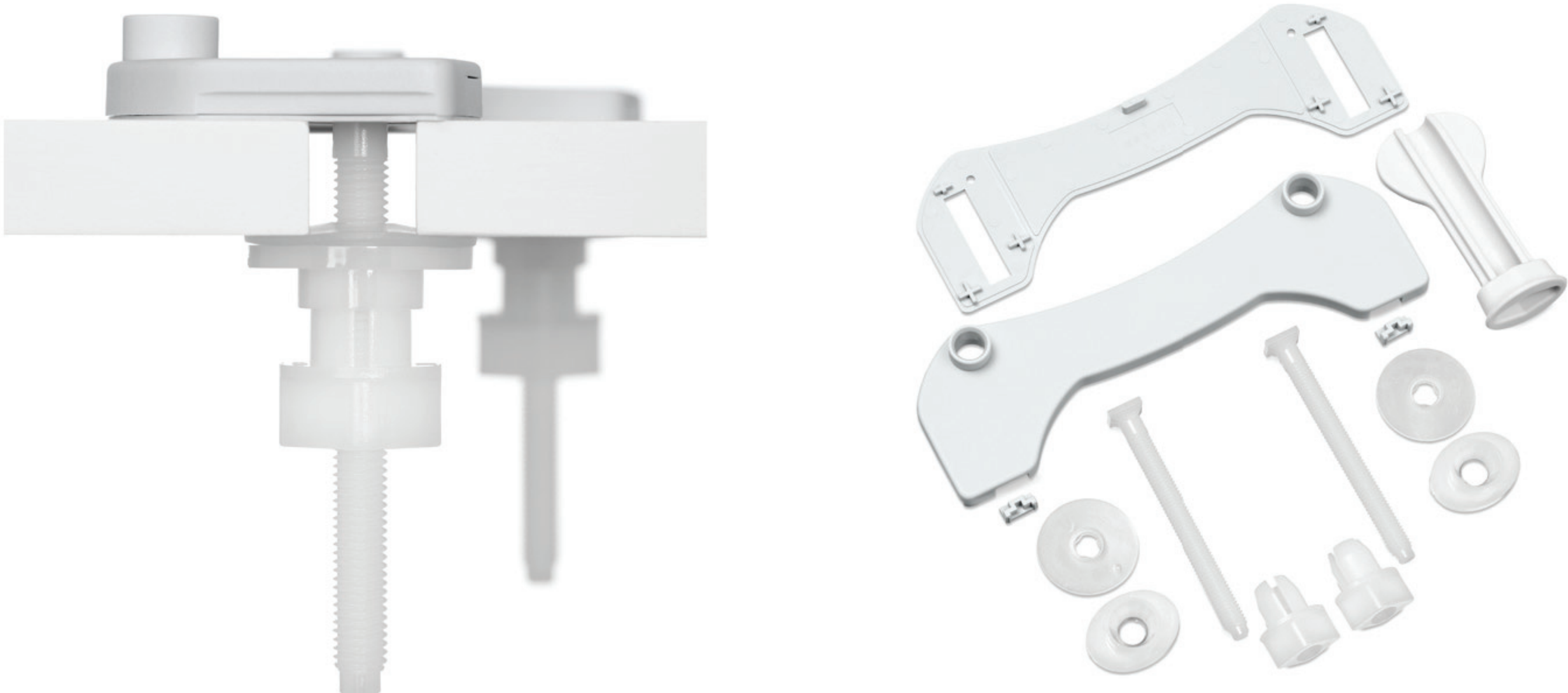
How does the Lift & Clean technology work?



Behind our practical Lift & Clean feature there are special hinges. These allow the toilet seat to be removed without the use of tools. Despite this, the anchoring ensures that the toilet seat neither wobbles nor slips. The hinge joints can be adjusted flexibly so they fit all standard toilets. Even when installing a new toilet seat, it can simply be attached to the Lift & Clean fixing and taken off again just as quickly.

Thanks to its easy removal, the entire toilet seat can be cleaned from all sides and, for example, rinsed off under the shower. At the same time, otherwise hard-to-reach places on the toilet are easier to reach without the toilet seat there. This unique design allows accessible cleaning to the entire area without hindrance and resulting in thorough hygiene in the bathroom.

Hinge installation - Fixed hinge



Installation Video



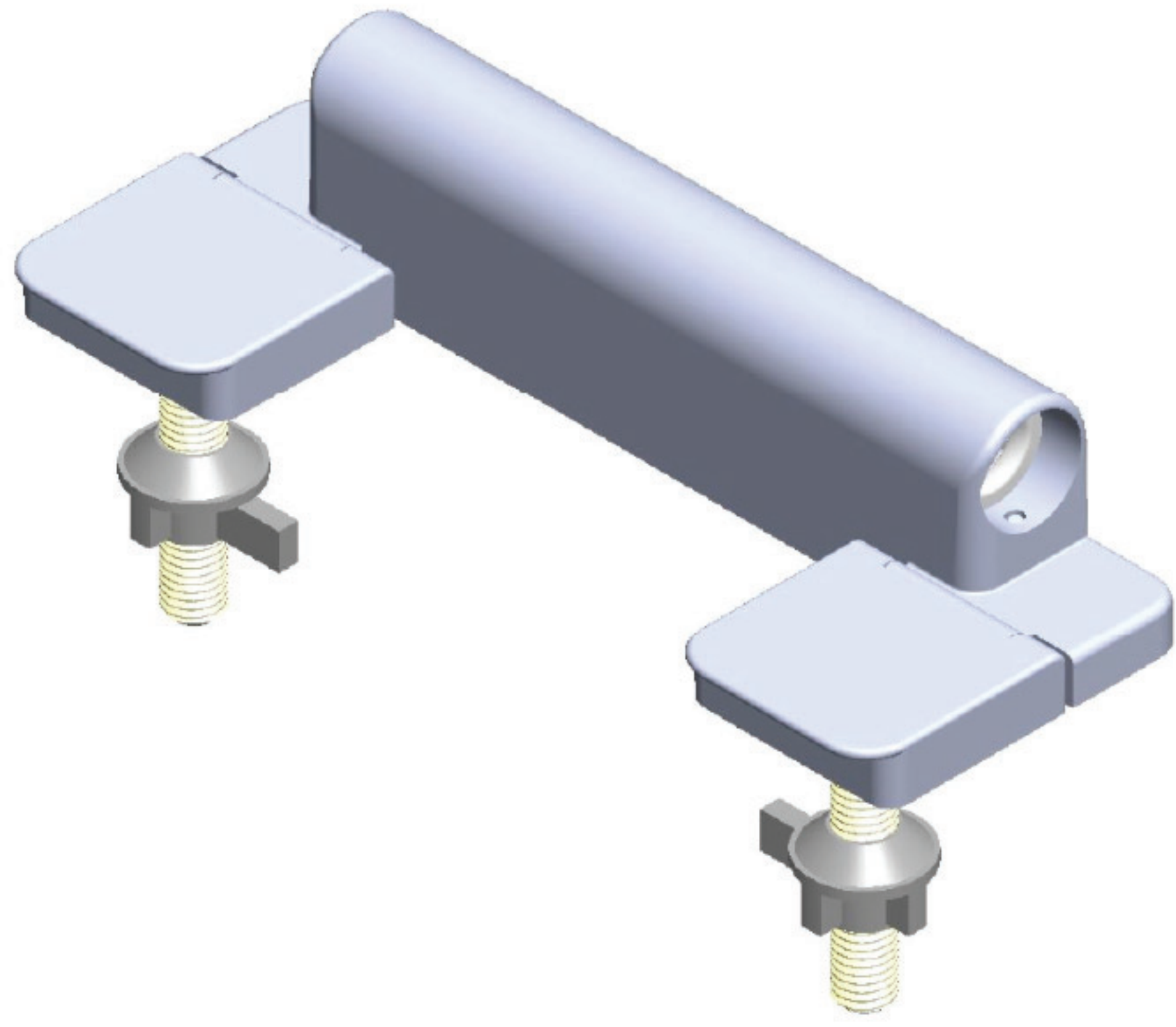
Hinge installation - Adjustable hinge



Installation Video
















Hinge installation - Removable hinge



Installation Video

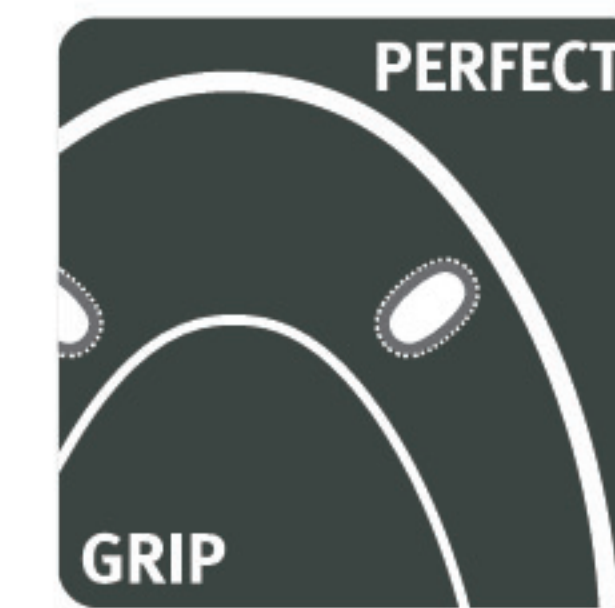


Material Comparison			
	Wood	Polypropylene	Duroplast
Hygienic			
Chemical resistant			
Solid-colored			
Scratch resistant			
Antibacterial			
Fire retardant			
Ember resistant			
UV resistant			
Pressure resistant			

Seat Model Collection ONE Elongated Duroplast



Color	Weight	Outside width	Outside length* (Hinge adjustment range)	Inside width	Inside length
White	2.30 kg 5.07 lbs	36.2 cm 14.25"	45.3 – 47.4 cm* 17.83 – 18.66"	20.4 cm 8.03"	29.4 cm 11.57"



Rubber Grip Bumpers



Perfect Fit



Antibacterial



UV Resistant



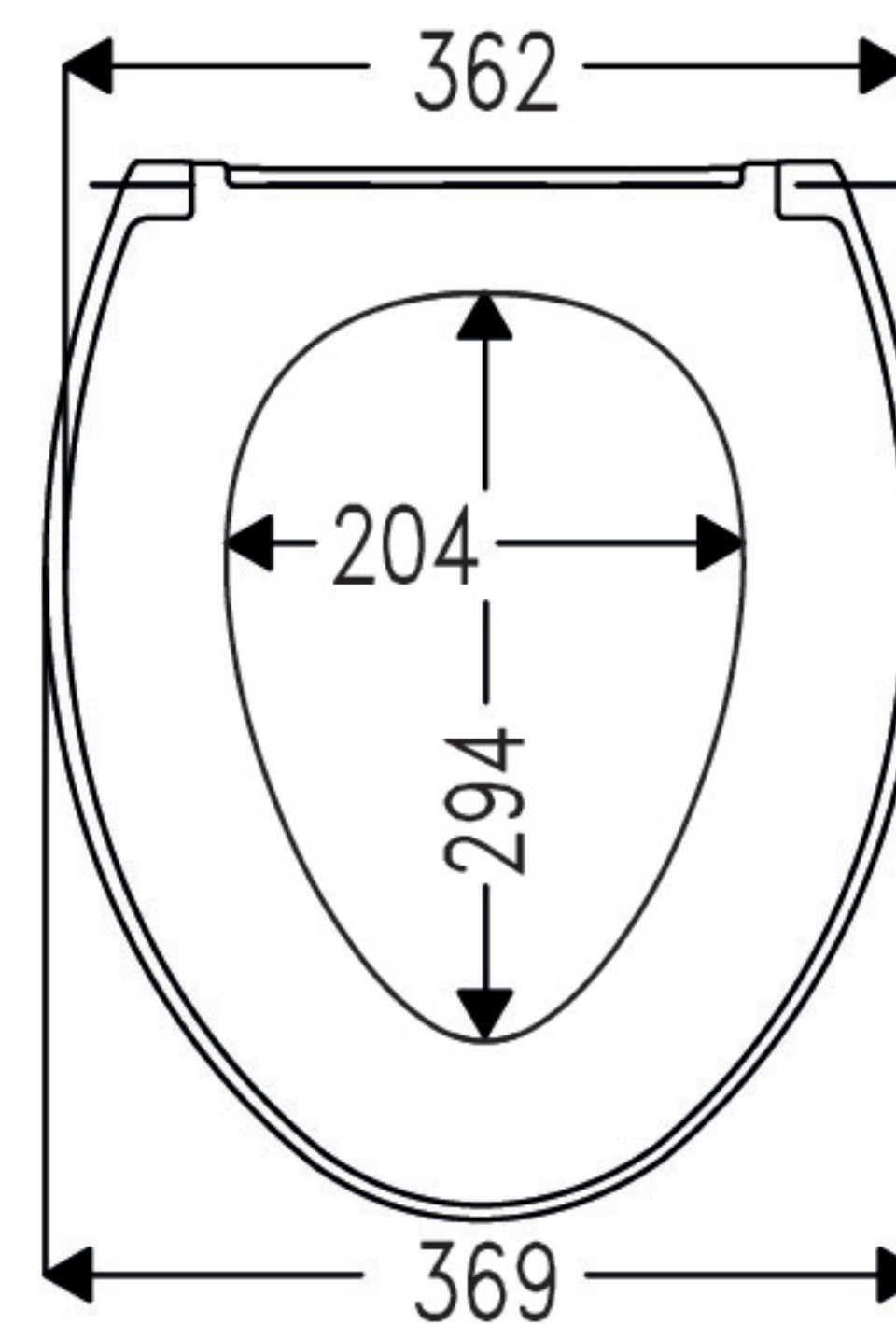
Scratch Resistant



Fire Resistant

Tender Text

- material: Urea 131.5 thermoset (Duroplast)
- with Slow Close and Quick Release
- hole-center distance 14 cm / 5.5"
- elongated
- pointed front
- ergonomical
- 2 lid bumpers
- 4 seat bumpers



Model #	2865SCLC-301	544578SCLC
Hinge #	411392	412001



Seat Model
Collection ONE
Elongated
Polypropylene



Color	Weight	Outside width	Outside length* (Hinge adjustment range)	Inside width	Inside length
White	1.67 kg 3.68 lbs	36.2 cm 14.25"	45.3 – 47.4 cm* 17.83 – 18.66"	20.4 cm 8.03"	29.4 cm 11.57"



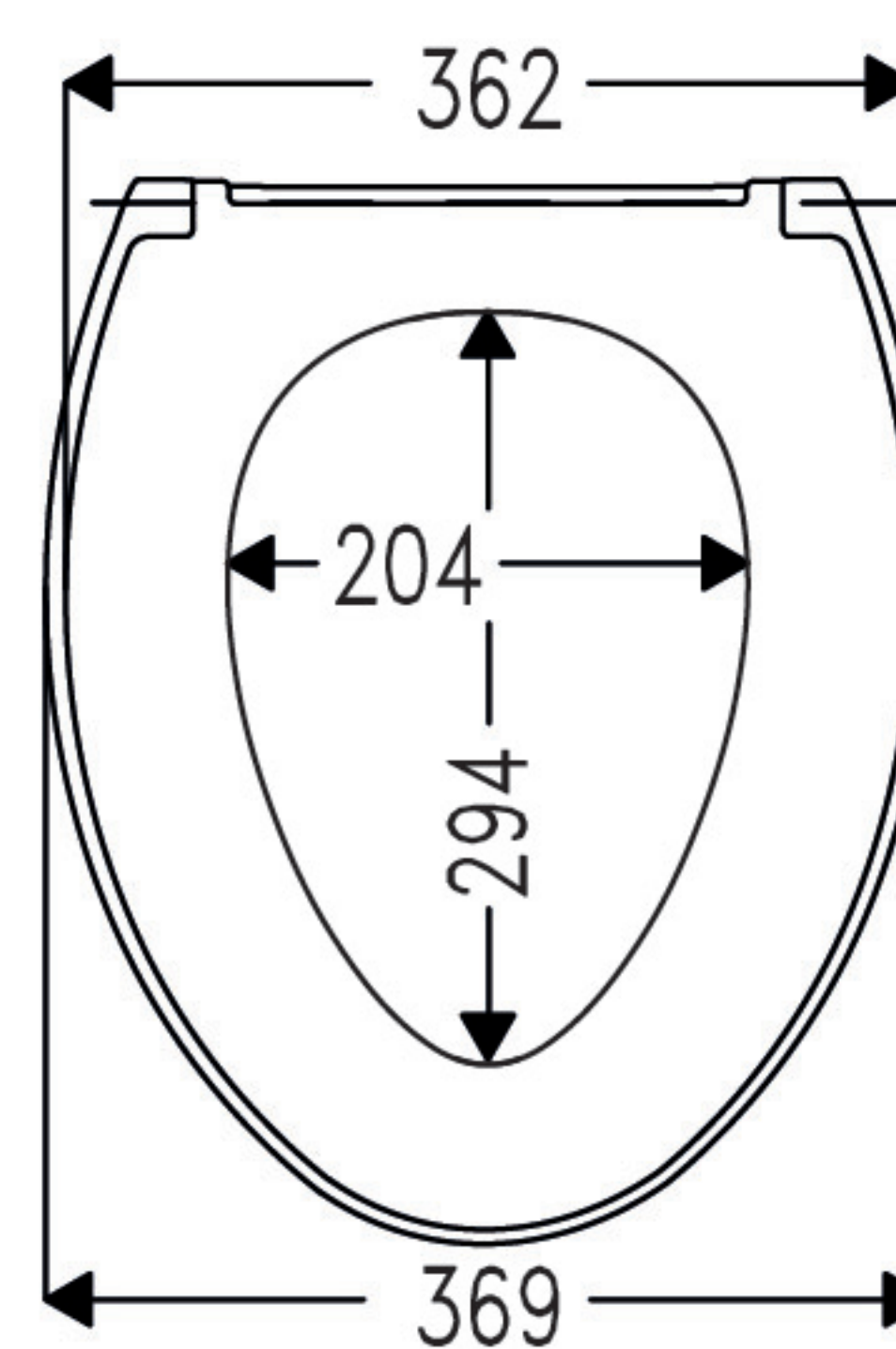
Rubber Grip Bumpers



Perfect Fit

Tender Text

- material: Thermoplast (Polypropylene)
- with Slow Close and Quick Release
- hole-center distance 14 cm / 5.5"
- elongated
- pointed front
- ergonomical
- 2 lid bumpers
- 4 seat bumpers



Model #	2867SCLC-301	544576SCLC	4572SCLC-301
Hinge #	411392	412001	-



Seat Model Collection ONE Round Duroplast



Color	Weight	Outside width	Outside length* (Hinge adjustment range)	Inside width	Inside length
White	2.10 kg 4.629 lbs	36.2 cm 14.25"	40.9 – 43.1 cm* 16.10 – 16.96"	21.2 cm 8.33"	25.9 cm 10.19"



Rubber Grip Bumpers



Perfect Fit



Antibacterial



UV Resistant



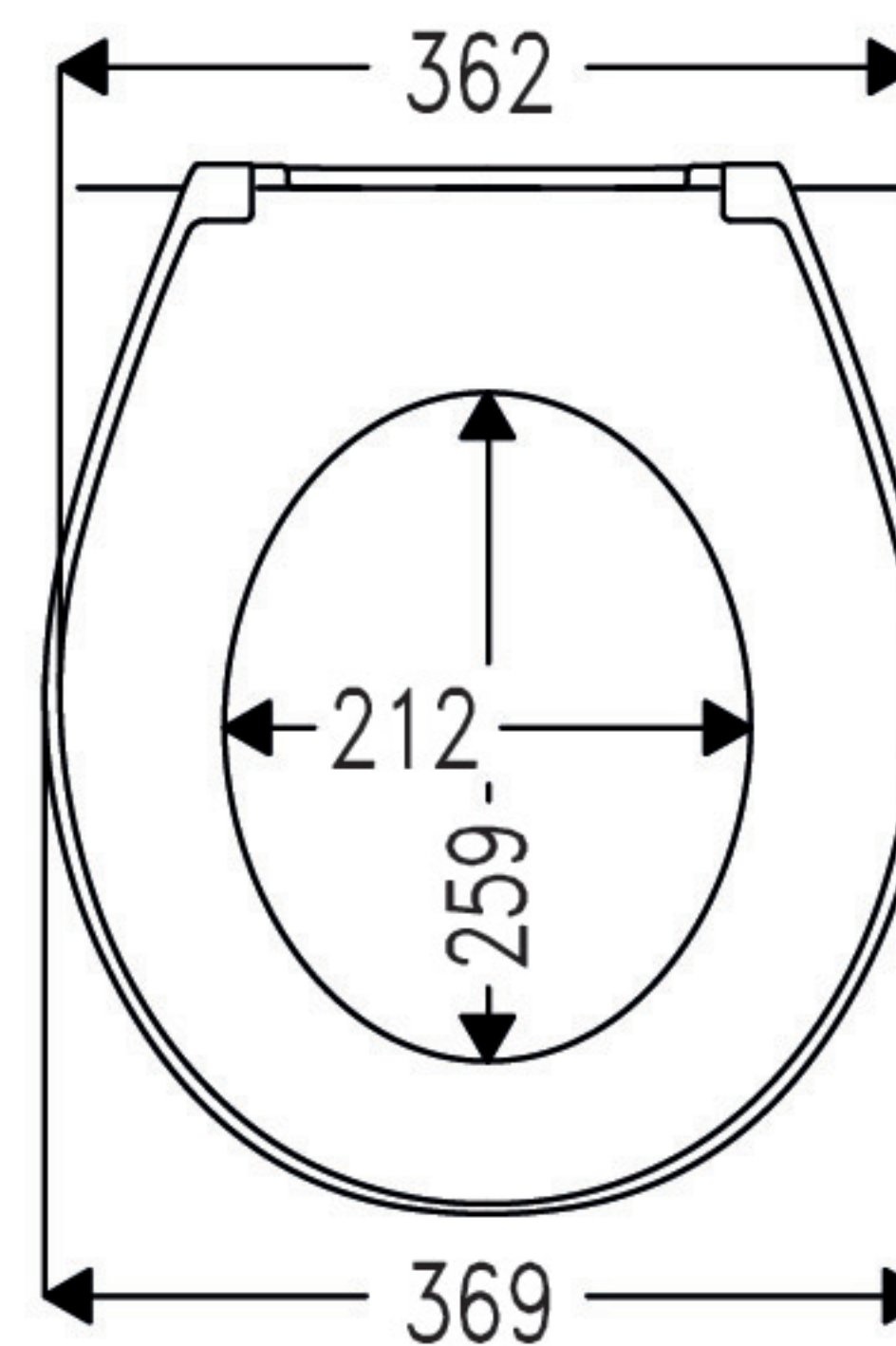
Scratch Resistant



Fire Resistant

Tender Text

- material: Urea 131.5 thermoset (Duroplast)
- with Slow Close and Quick Release
- hole-center distance 14 cm / 5.5"
- oval
- round front
- ergonomical
- 2 lid bumpers
- 4 seat bumpers



Model #	2864SCLC-301	544579SCLC
Hinge #	411392	412001



Seat Model Collection ONE Round Polypropylene



Color	Weight	Outside width	Outside length* (Hinge adjustment range)	Inside width	Inside length
White	1.54 kg 3.39 lbs	36.2 cm 14.25"	40.9 – 43.1 cm* 16.10 – 16.96"	21.2 cm 8.33"	25.9 cm 10.19"



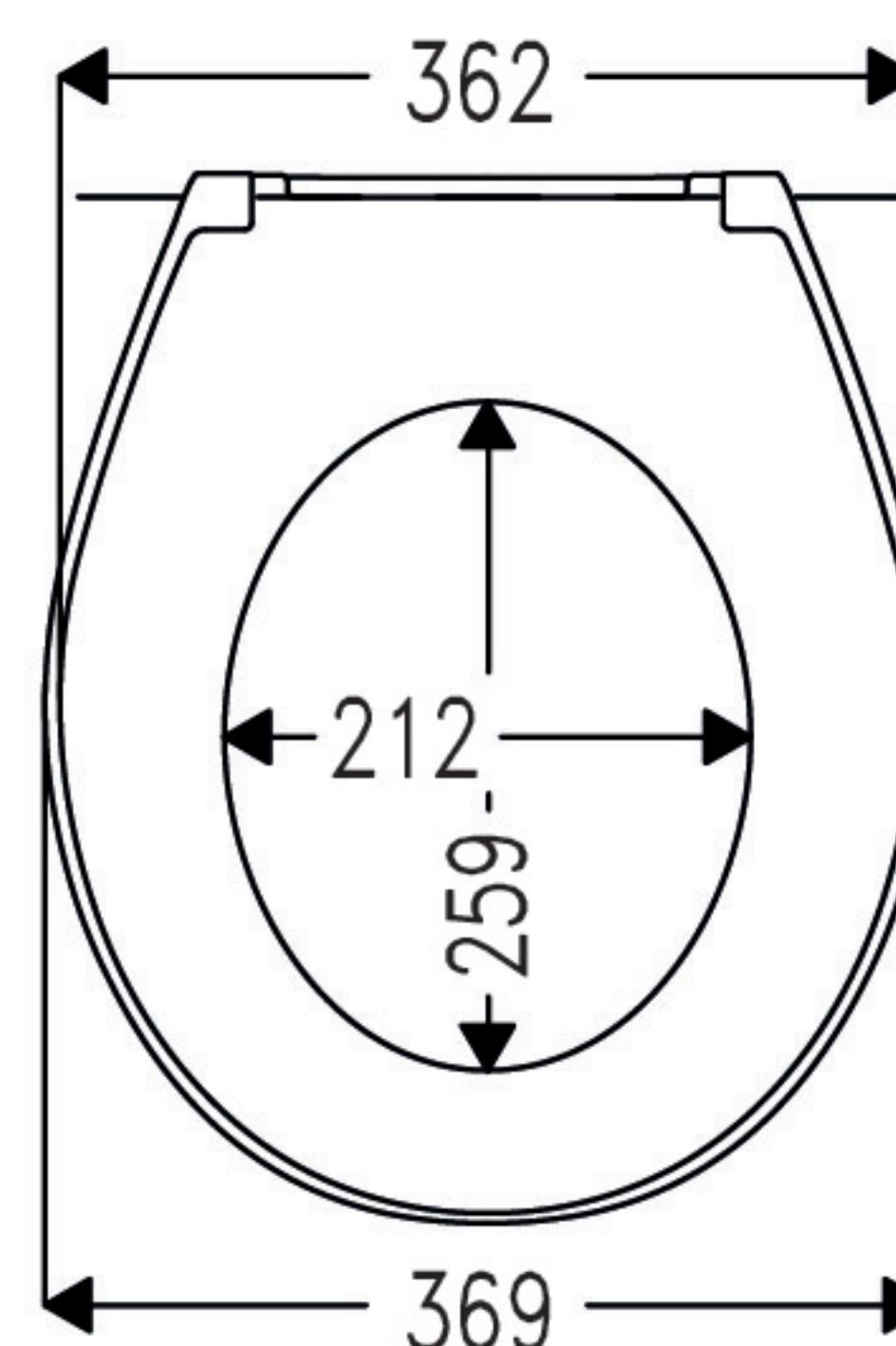
Rubber Grip Bumpers



Perfect Fit

Tender Text

- material: Thermoplast (Polypropylene)
- with Slow Close and Quick Release
- hole-center distance 14 cm / 5.5"
- oval
- round front
- ergonomic
- 2 lid bumpers
- 4 seat bumpers



Model #	2866SCLC-301	544577SCLC	4573SCLC-301
Hinge #	411392	412001	-

